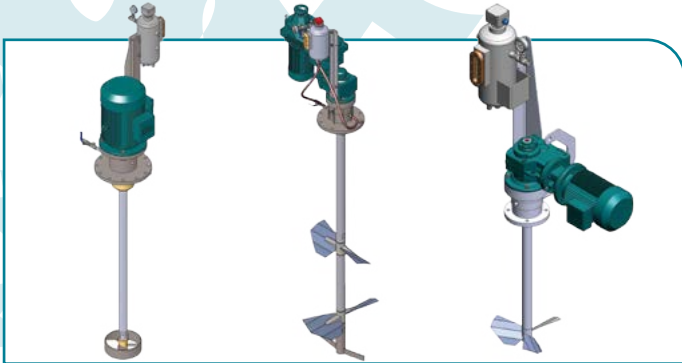
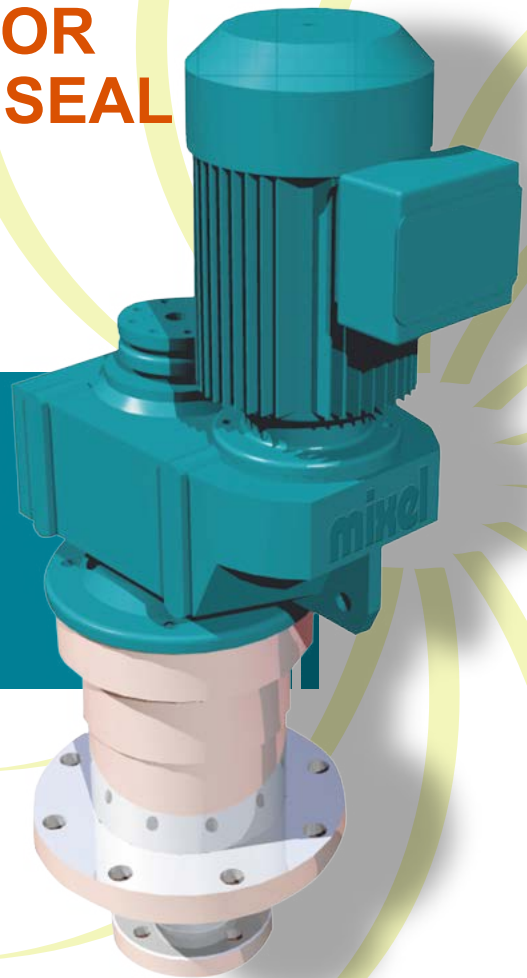


# SEALBOX™

## TOP-ENTRY AGITATOR WITH MECHANICAL SEAL

- Satisfy a variety of mixing requirements
- Compact structure and small space occupancy
- Suitable for small but precise processes
- Integrated design of mechanical seal and frame
- Convenient disassembly



Application: Petrochemical industry

### Application

Mixing, storage, dispersion, dissolution, solid suspension, emulsification

### Design

Diameter of mechanical seal up to 80mm  
Reducer motor power up to 11kW  
Stirring shaft length up to 2500mm  
The temperature up to 300°C  
Pressure in the tank up to 25bar

### Material

Carbon steel, stainless steel, alloy, coated steel and special materials