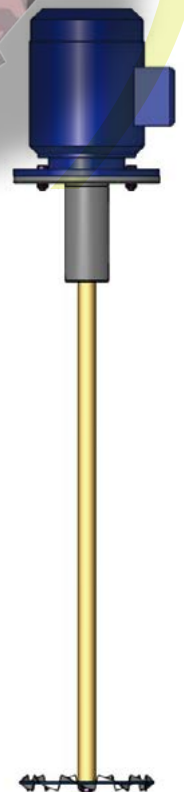
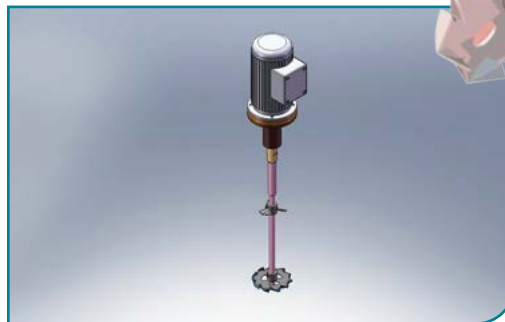


RAPIDMIX™

●●● HIGH SPEED TOP-ENTRY AGITATOR



- High mixing speed
- Configure with high speed bearing
- Suitable for emulsification with high speed and other processes
- Special coordinated design of bearing and shaft seal



Specification	High speed, High shearing Speed: 1500-3000rpm
Power	To 37kW
Material	Actual condition - made

Standard high speed dispersion propeller guidance device

Tank inside and outside installation

Applications: Petrochemical industry, Agro-food, Pharmacy